

GM85 Fit



GM85 Fit

Mechanic

Column Type	Collapsible
Column Height	Min. 1,396 mm / Max 2,152 mm
SIZE (W (cm) x L (cm) x H (cm))	55.5 x 125.8 x 139.6
Weight (kg)	339
Tube Reach (cm)	79.3 ~ 135.5 (Center of column to Focal spot)
Focal Spot Range (cm)	55 ~ 203
Column Rotation	±315°
Tube Rotation (arm axis)	±180°
Tube Rotation (tube axis)	+90° ~ -30°

HVG

Power (kW)	32
kVp	40 ~ 125 (1 kV step)
mA	10 ~ 320
mAs	0.1 ~ 320
Exposure time range	From 1 ms to 10 seconds
Exposure Parameter Setting @Max. Power Rating	49 kV 320 mA 80 kV 320 mA 100 kV 320 mA 125 kV 250 mA
Switching frequency	50 kHz

Tube

Nominal Tube Voltage (kVp)	125
Heat Capacity (kHU)	200
Anode Angle	14°
Focal Spot (mm)	0.6 / 1.5
Anode speed	min. 3,200/min (60 Hz)
X-ray heat storage capacity of tube	1,056 kHU (750 kJ)

GM85 Fit

Collimator

Type	2-Axis manual blade
Light	LED
Additional Filter	0.1, 0.2, 0.3 mmCu (Manual)
Illuminance	> 160 lux
Inherent Filtration	1.0 mmAl @75 kVp
Rotation Angle	-90 ~ 180° (Total 270°)
ETC	Measuring Tape DAP Integration*

* Optional

Driving

Speed	Max. 5.6 km/h
Soft Driving*	Provided
Slope	Max. 7 deg
Bumper sensor	Provided
Emergency Brake Release	Provided

* The adaptive driving control with sensing the force of user

Battery

Type	Li-ion Battery
Input Outlet	Free Voltage (100-240 VAC, 50/60 Hz)
Charge Time*	Approx. 4 hours - 200-240 VAC < 3 hours - 100-127 VAC < 4 hours

* Depends on capacity of outlet

Display

Size	21.5"
Resolution	1,920 x 1,080 (FHD)
Touch	Provided

GM85 Fit

Workstation

Hardware	
CPU	Intel Core i3
RAM	8 G or more
Storage	SSD 500 GB - Image storage capacity S4343-AWM : ~ 5,000 images S4335-AWM : ~ 7,000 images S3025-AWM : ~ 13,000 images
OS	Microsoft Windows 7 or later
Software	
Image acquisition times* (X-ray exposure to image)	S4343-AWM(Wireless) : Preview < 2 sec, Final < 6 sec S4335-AWM(Wireless) : Preview < 2 sec, Final < 5 sec S3025-AWM(Wireless) : Preview < 3.5 sec, Final < 6 sec
* It depends on the image processing parameters and wireless condition	
Post processing	S-View™
Display functions	Window level control, Zoom / Magnifier. Flip / Rotate, Invert, Shutter (Fixed / Auto / Manual) Annotations (Marker / Free text / Arrow / Line / Length / Angle / Cobbs angle / Rectangle / Ellipse) Layout (1×1, 1×2, 2×1, 2×2)
Auto cropping	Auto shutter
Auto APR* matching	X-ray conditions, Image processing parameters, Marker etc
Multi-language	English, French, German, Italian, Spanish, Russian, Simplified Chinese, Portuguese, Turkish, Finnish, Swedish, Czech, Polish
Dose Report	List patient dose information Send dose information to a PACS Export to DVD/USB through JPG/DICOM format

* Anatomical Programmed Radiography

Features

	Description
Quick Driving	Ability to drive the unit in under 10 seconds after pressing power key.
Night mode	Quick control to adapt the sound and display
Pediatric Exposure Management	Providing subdivided exposure conditions of child and baby
Quick Link	Easy access to existing RIS/HIS/PACS system in the S-Station

GM85 Fit

H/W Optional Items

	Description
Wireless Hand Switch	Infrared type
Bar Code Scanner	Minimum resolution : typical 3 mil
H-DAP	Quality Equivalent Filtration : 0.2 mmAL @70 kVp
DVD-RW	External USB type
Portable Grid for 4335*	SID : 130 cm, 10:1, 215 LPI
Portable Grid for 4343*	SID : 130 cm, 10:1, 215 LPI
LAN Cable (3M)	For Transferring image to PACS
Pediatric Cover Design	Refer to the design in the brochure
RFID Reader	RFID badge scan for login (Support 125 kHz, 13.56 MHz) (Recommend card type : HID Prox / iCLASS ID)
In-bin charging for 4335/4343	Charging the detector in the bin
In-bin charging for 3025	Integrated cable for charging in the bin
AC/DC Adaptor	Charging Adaptor for S3025-AW/AWM

* Portable Grid for S4335-AWM, S4343-AWM requires additional service parts for combining together

S/W Optional Items

	Description
SimGrid™	Enhancing the visibility of image without physical grid by compensating the decrease in contrast caused by scatter radiation
Bone Suppression	Improving the clarity of soft tissues by suppressing the appearance of bones in chest images
Auto Lung Nodule Detection	ALND helps users find lung nodules on x-ray Chest PA images.
S-Enhance	Enhancing visibility of foreign body in chest, abdomen and l-spine images
Manual Stitching	Allow manual stitching of multiple images
QAP Package	Quality Assurance Program and AI Filter/Phantom
S-Share™ ¹⁾	Sharing detectors between GM85 Fit and Samsung DR system
WBS Activation	Support verified wireless barcode scanner - Refer to the verified scanner list - Interface(Host/Wireless Scanner) : USB Serial/Bluetooth(2.4GHz-2.5GHz, ISM)
Value-up Package	Flat GUI / Image Auto Rotation / Additional Patient Information / Detector Connection Alarm / Prior Exam Review / Bariatric Exposure Management
Mirror View	Provide secured screen sharing of S-Station to the display device using Wi-Fi CERTIFIED Miracast™

1) There are restrictions on sharing between detectors, please refer to separate guide

GM85 Fit

AccE Standard Detector

Wireless Portable Detector

Detector model	S4335-AWM
Detector type	Amorphous Silicon TFT / Cesium Iodide scintillator (CsI)
Dimensions	460 x 384 x 15 mm
Active detector matrix (Effective Pixel matrix)	3,040 × 2,466 pixels
Effective area	425.6 mm × 345.24 mm
Pixel pitch	140 μm
A/D conversion (Pixel depth)	16 bits
Spatial resolution	3.57 lp/mm
Detective Quantum Efficiency (DQE)	65% (0.0 lp/mm, Typical)
Modulation Transfer Function (MTF)	88% (0.5 lp/mm, Typical)
Installation	Wireless / Tethered
Image Acquisition	Tethered / Wireless (802.11 a/b/g/n & ac) @2.4/5 GHz
AED	Available, v3.0
Weight	Approx. 3.2 kg
Max.load capacity	400 kg for uniform load, 200 kg for local load (40 mm in diameter disk at the center)
Max.bend capacity	> 200 kg @ 3-point bending condition
Dust/Water-resistance	IP54
Self diagnosis	Automatic detection & alarming of line artifact
Battery charging time	Typ. 6 hrs. (tethered), Typ. 3 hrs. (battery charger)
Battery Operation Time	500 images for 4 hrs. Waiting for more than 10 hrs under deep sleep mode

Wireless Portable Detector

Detector model	S4343-AWM
Detector type	Amorphous Silicon TFT / Cesium Iodide scintillator (CsI)
Dimensions	460 x 460 x 15 mm
Active detector matrix (Effective Pixel matrix)	3,040 × 3,036 pixels
Effective area	425.60 mm × 425.04 mm
Pixel pitch	140 μm
A/D conversion (Pixel depth)	16 bits
Spatial resolution	3.57 lp/mm
Detective Quantum Efficiency (DQE)	65% (0.0 lp/mm, Typical)
Modulation Transfer Function (MTF)	88% (0.5 lp/mm, Typical)
Installation	Wireless / Tethered
Image Acquisition	Tethered / Wireless (802.11 a/b/g/n & ac) @2.4/5 GHz
AED	Available, v3.0
Weight	Approx. 3.6 kg
Max.load capacity	400 kg for uniform load, 200 kg for local load (40 mm in diameter disk at the center)
Max.bend capacity	> 200 kg @ 3-point bending condition
Dust/Water-resistance	IP54
Self diagnosis	Automatic detection & alarming of line artifact
Battery charging time	Typ. 6 hrs. (tethered), Typ. 3 hrs. (battery charger)
Battery Operation Time	500 images for 4 hrs. Waiting for more than 10 hrs under deep sleep mode

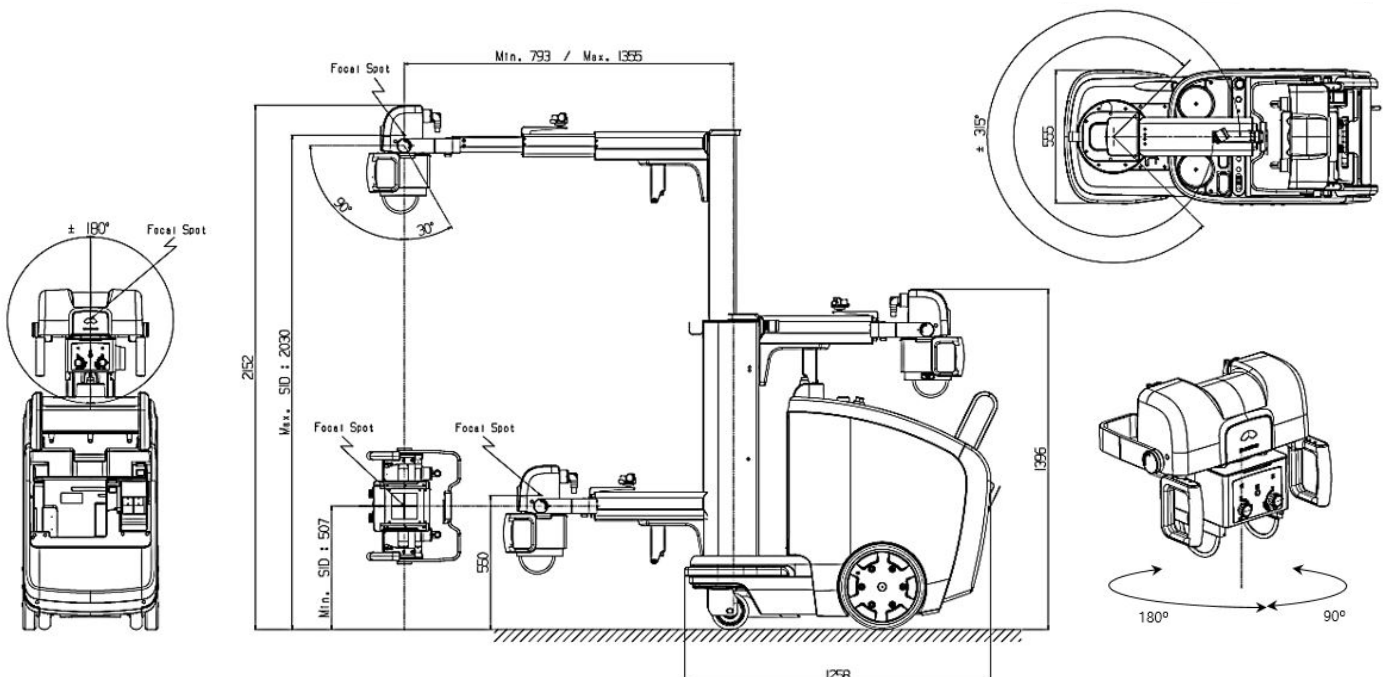
GM85 Fit

AccE Detector

Wireless Portable Detector	
Detector model	S3025-AW
Detector type	Amorphous Silicon TFT / Cesium Iodide scintillator (Csl)
Dimensions	350 x 287 x 15 mm
Active detector matrix	2536 x 2024 pixels (W x H)
Effective area	314.5 mm × 251.0 mm (W x H)
Pixel pitch	124 μm
A/D conversion (Pixel depth)	16 bits
Spatial resolution	4.0 lp/mm
Detective Quantum Efficiency (DQE)	(DQE) 75% (0.0 lp/mm, Typical)
Modulation Transfer Function (MTF)	(MTF) 87% (0.5 lp/mm, Typical)
Installation	Wireless only
Image Acquisition	Wireless (802.11 n/ac) @2.4/5 GHz
AED	N/A
Weight	2.1 kg (Typical)
Max.load capacity	400 kg for uniform load, 200 kg for local load (40 mm in diameter disk at the center)
Dust/Water-resistance	IP67
Self diagnosis	Automatic detection & alarming of line artifact
Battery charging time	2 hrs. (AC-DC adaptor)
Battery Operation Time	270 images for 7.5 hrs

Mechanical Specifications Collapsible column type

Length	Width	Height	Weight
1,258 mm	555 mm	Minimum 1,396 mm Maximum 2,152 mm	339 kg



Samsung Electronics Co., Ltd. inspires the world and shapes the future with transformative ideas and technologies, redefining the worlds of TVs, smartphones, wearable devices, tablets, cameras, digital appliances, printers, medical equipment, network systems, and semiconductor and LED solutions. We are also leading in the Internet of Things space through, among others, our Smart Home and Digital Health initiatives.

We employ 307,000 people across 84 countries with annual sales of US \$196 billion. To discover more, please visit our official website at www.samsung.com and our official blog at global.samsungtomorrow.com



Scan code or visit
www.bostonimaging.com
to learn more

Represented by:
Commonwealth X-Ray, Inc.
www.commonwealthxray.net
cxr@cxrinc.net
859-885-4854



SAMSUNG

© 2022 Samsung Electronics All rights reserved. Samsung Electronics reserves the right to modify the design, packaging, specifications, and features shown herein, without prior notice or obligation.

1-GM85FIT-101rev00